

R SERIES

1532R AND 1932R ELECTRIC SCISSOR LIFTS



Performance

Platform Height–Elevated		
1532R	15 ft	4.57 m
1932R	19 ft	5.8 m
Platform Capacity		
1532R	600 lb	272 kg
1932R	550 lb	250 kg
Capacity on Platform Extension	250 lb	113 kg
Lift/Lower Time		
1532R	19/20 seconds	
1932R	25/26 seconds	
Maximum Drive Height	Fully Elevated	
Weight*		
1532R	2,500 lb	1,134 kg
1932R	2,630 lb	1,193 kg
Ground Bearing Pressure		
1532R	95 psi	6.68 kg/cm ²
1932R	101 psi	7.66 kg/cm ²
Drive Speed–Elevated	0.5 mph	0.8 km/h
Drive Speed–Lowered	2 mph	3.2 km/h
Gradeability	25%	
Turning Radius (Inside)	Zero	
Turning Radius (Outside)	66 in.	1.68 m

* Certain options or country standards will increase weight.

Standard Specifications

Power Source

Batteries	4 x 6V 220 amp-hr	
Charger	27 amp High Frequency Charger	
Drive	Hydraulic Front-wheel	

Hydraulic Reservoir

• Capacity	4.5 gal.	17 L
• Pump	Fixed Displacement Gear	

Tires

• Tire Size/Type (Non-Marking)	12 x 4 in.	323 x 100 mm
--------------------------------	------------	--------------

Brakes

- Multi-Disc Friction

Standard Features

- Proportional Controls
- Battery Condition Indicator
- 110V-AC Receptacle in Platform
- All Motion Alarm
- 27 amp Multi-Function Universal Charger
- Horn
- Hourmeter
- Tilt Alarm and Light
- Lanyard Attach Points
- Movable, Removable Platform Control
- Nickel Plated Pins
- Lubrication Free Scissor Arm Bushings
- Scissor Maintenance Prop
- Active Pothole Protection System
- Lifting and Tie Down Points
- Fork Lift Pockets
- 36 in. (91 cm) Foot-Actuated Deck Extension
- Steel Swing-Out Doors
- Variable Tilt Window
- Manual Descent Cable
- Diamond Tread Steel Deck



- Greaseless Kingpin Joints
- Analyzer Port for Diagnostics
- Dynamic Braking
- Removable Ladder

Accessories & Options

- Coiled Platform Control Box Cable
- Drive Motor Covers
- Extension Deployment Handles
- Fire Extinguisher
- Flashing Amber Beacon
- MDI (Ground)
- Anti-Vandalism PKG
- Eagle Performance Charger
- 900W Inverter
- Ambient Noise Alarm
- Batteries (220AH - AGM)

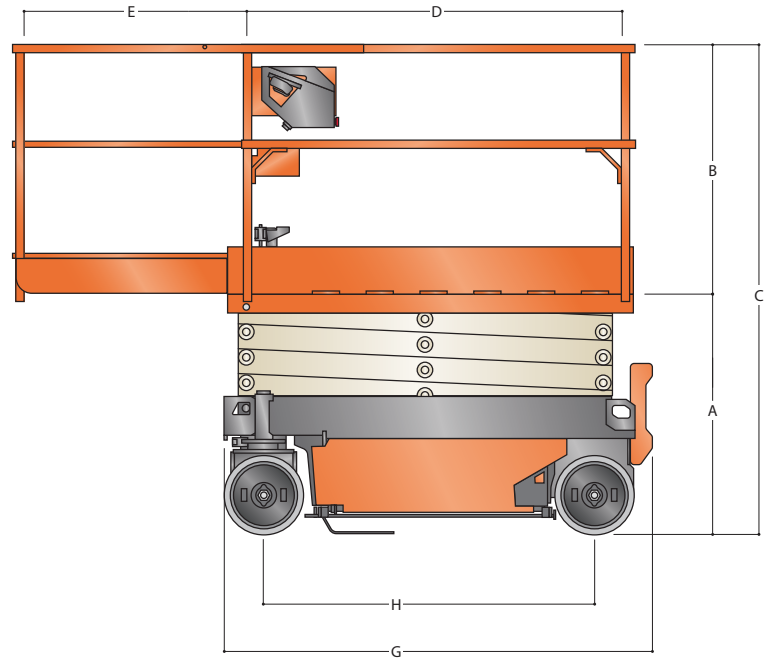
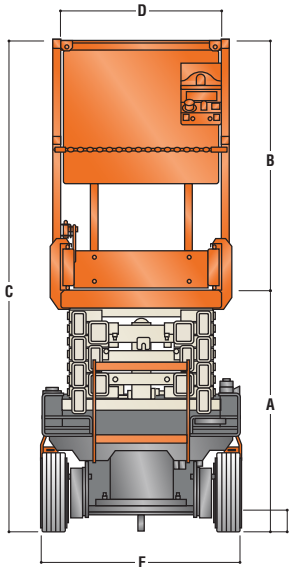
R SERIES

1532R AND 1932R ELECTRIC SCISSOR LIFTS



Dimensions

All dimensions are approximate.



A. Platform Height—Lowered

1532R	37.5 in.	0.95 m
1932R	38.6 in.	0.98 m
B. Platform Railing Height	39.9 in.	1.02 m
C. Overall Height		
1532R	77.7 in.	1.97 m
1932R	78.5 in.	1.99 m

D. Platform Size

D. Platform Size	25.4 in x 62.7 in.	0.64 m x 1.59 m
E. Platform Extension	36 in.	91 cm
F. Overall Width	32 in.	81 cm
G. Overall Length	68.7 in.	1.74 m
H. Wheelbase	53 in.	1.34 m
I. Ground Clearance	2.8 in.	7 cm



The JLG "1 & 5" Warranty

JLG Industries, Inc. backs its products with its exclusive "1 & 5" Warranty. We provide coverage on all products for one (1) full year, and cover all specified major structural components for five (5) years. Due to continuous product improvements, we reserve the right to make specification and/or equipment changes without prior notification. This machine meets or exceeds applicable OSHA Regulations in 29 CFR 1910.67, 29 CFR 1926.453, ANSI A92.6, and CSA Standard CAN3-B354.2-M82, as originally manufactured for intended applications.

Part No.: 3131505
R041703
Printed in USA

JLG Industries, Inc.
1 JLG Drive
McConnellsburg, PA 17233-9533
Telephone 717-485-5161
Toll-free in US 877-JLG-LIFT
Fax 717-485-6417
www.jlg.com

An Oshkosh Corporation Company