

TOUCAN® SERIES

MAST BOOM LIFTS



Performance

Platform Height		
T20E	20 ft 2 in.	6.14 m
T26E	26 ft 5 in.	8.05 m
T32E	32 ft 3 in.	9.83 m
Horizontal Outreach		
T20E	6 ft 6.9 in.	1.99 m
T26E	8 ft 8 in.	2.64 m
T32E	15 ft	4.57 m
Up and Over Height		
T20E	16 ft 8.75 in.	5.1 m
T26E	21 ft 8 in.	6.64 m
T32E	22 ft 9 in.	6.95 m
Swing	360 Degrees Non-continuous	
Platform Capacity	500 lb	227 kg
Platform Size		
T20E	33 x 34.5 in.	84 x 88 cm
T26E	29 x 33 in.	73 x 84 cm
T32E	27.5 x 41.3 in.	70 x 105 cm
Weight		
T20E	5,360 lb	2,431 kg
T26E	6,834 lb	3,100 kg
T32E	9,480 lb	4,300 kg
Ground Bearing Pressure		
T20E	209 psi	14.7 kg/cm ²
T26E	256 psi	18.0 kg/cm ²
T32E	178 psi	12.5 kg/cm ²
Ground Clearance	3 in.	8 cm
Drive Speed Stowed	3.4 mph	5.5 km/hr
Drive Speed Elevated	0.43 mph	0.7 km/hr
Gradeability		
T20E	25%	
T26E	25%	
T32E	24%	
Turning Radius (Inside)		
T20E	0 in.	0 m
T26E	1 ft 10 in.	0.55 m
T32E	2 ft 5 in.	0.74 m
Turning Radius (Outside)		
T20E	5 ft 9 in.	1.75 m
T26E	6 ft 7 in.	2.10 m
T32E	8 ft 6 in.	2.60 m

Standard Specifications

Battery

T20E	24V, 225 amp-hr
T26E	24V, 240 amp-hr
T32E	48V, 260 amp-hr

Battery Charger – Output

T20E	25 amps
T26E	25 amps
T32E	20 amps

Brakes

Spring Applied



Tires

T20E	16 x 5 x 10.5 Non-marking
T26E	125 x 406 Non-marking
T32E	18 x 7 x 12.12 Non-marking

Standard Features

- 110V-AC Receptacle in the Platform
- Battery Condition Indicator
- 360 Degree Non-continuous Swing
- All Motion Alarm
- Emergency Lowering Pump
- Hourmeter
- Proportional Controls
- Lifting Eyes
- 5 Degree Tilt Alarm/Indicator Light
- Tie-down Lugs
- Dual Warning Beacons
- Horn

Accessories & Options

- ½ in. Airline to Platform*
- Platform Work Lights*

* Airline and Platform Work Lights are not available in combination.

TOUCAN® SERIES

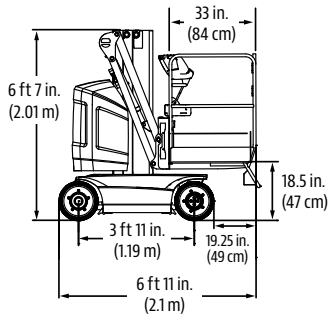
MAST BOOM LIFTS



Dimensions

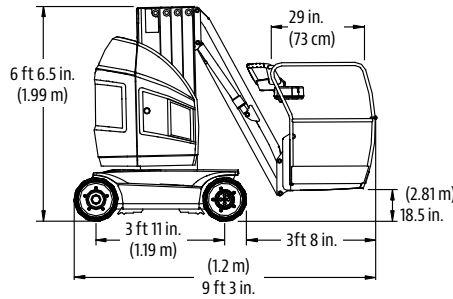
All dimensions are approximate.

T20E



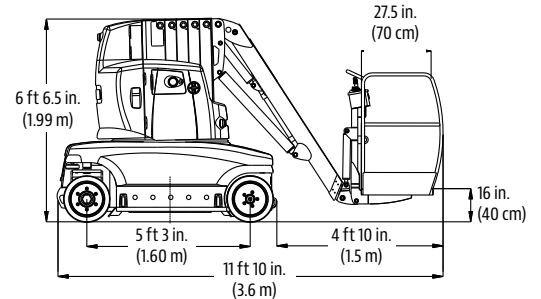
Over all width: 39 in. (0.99 m)

T26E



Over all width: 45 in. (1.14 m)

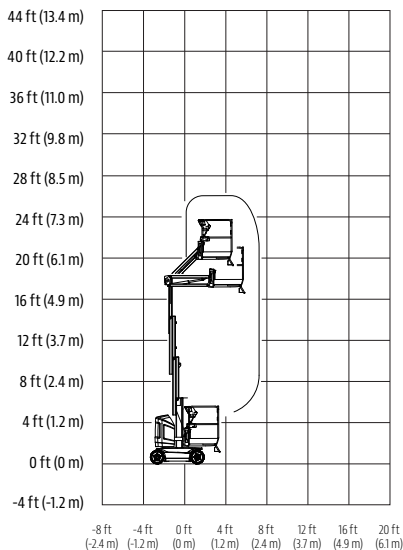
T32E



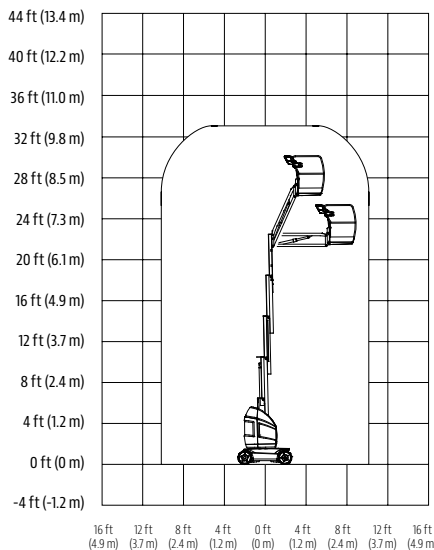
Over all width: 47.2 in. (1.20 m)

Reach Diagrams

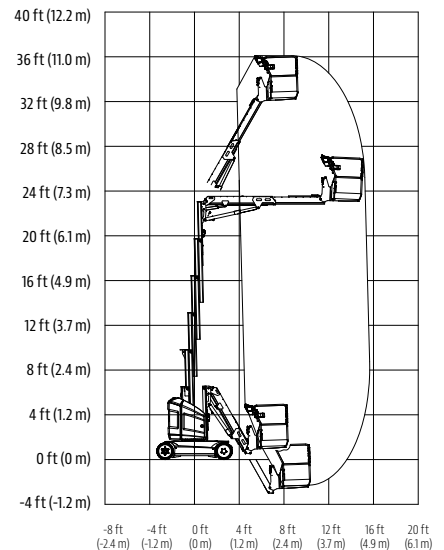
T20E



T26E



T32E



The JLG "1 & 5" Warranty

JLG Industries, Inc. backs its products with its exclusive "1 & 5" Warranty. We provide coverage on all products for one (1) full year, and cover all specified major structural components for five (5) years. Due to continuous product improvements, we reserve the right to make specification and/or equipment changes without prior notification. This machine meets or exceeds applicable OSHA Regulations in 29 CFR 1910.67, 29 CFR 1926.453, ANSI A92.5-2006, and CSA Standard CAN3-B354.2-M82, as originally manufactured for intended applications.

Form No.: SS-MB-0406
Part No.: 313217
R011405
Printed in USA



JLG Industries, Inc.
1 JLG Drive
McConnellsburg, PA 17233-9533
Telephone 717-485-5161
Toll-free in US 877-JLG-LIFT
Fax 717-485-6417
www.jlg.com

An Oshkosh Corporation Company